

- Flat Cable Connectors SEK
- *har-mik®*
- D-Sub
- InduCom

Applications



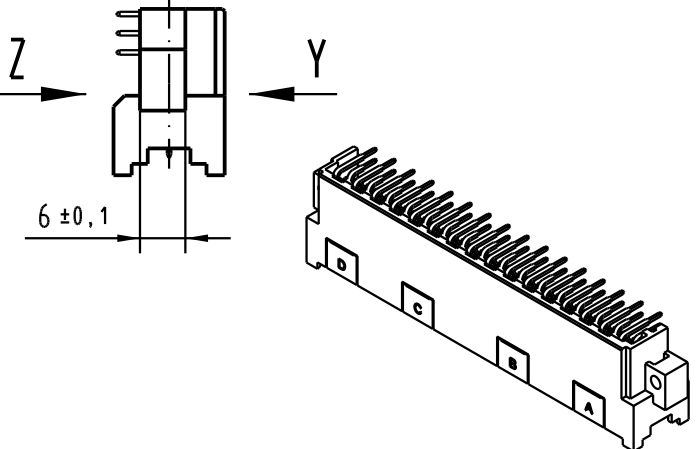
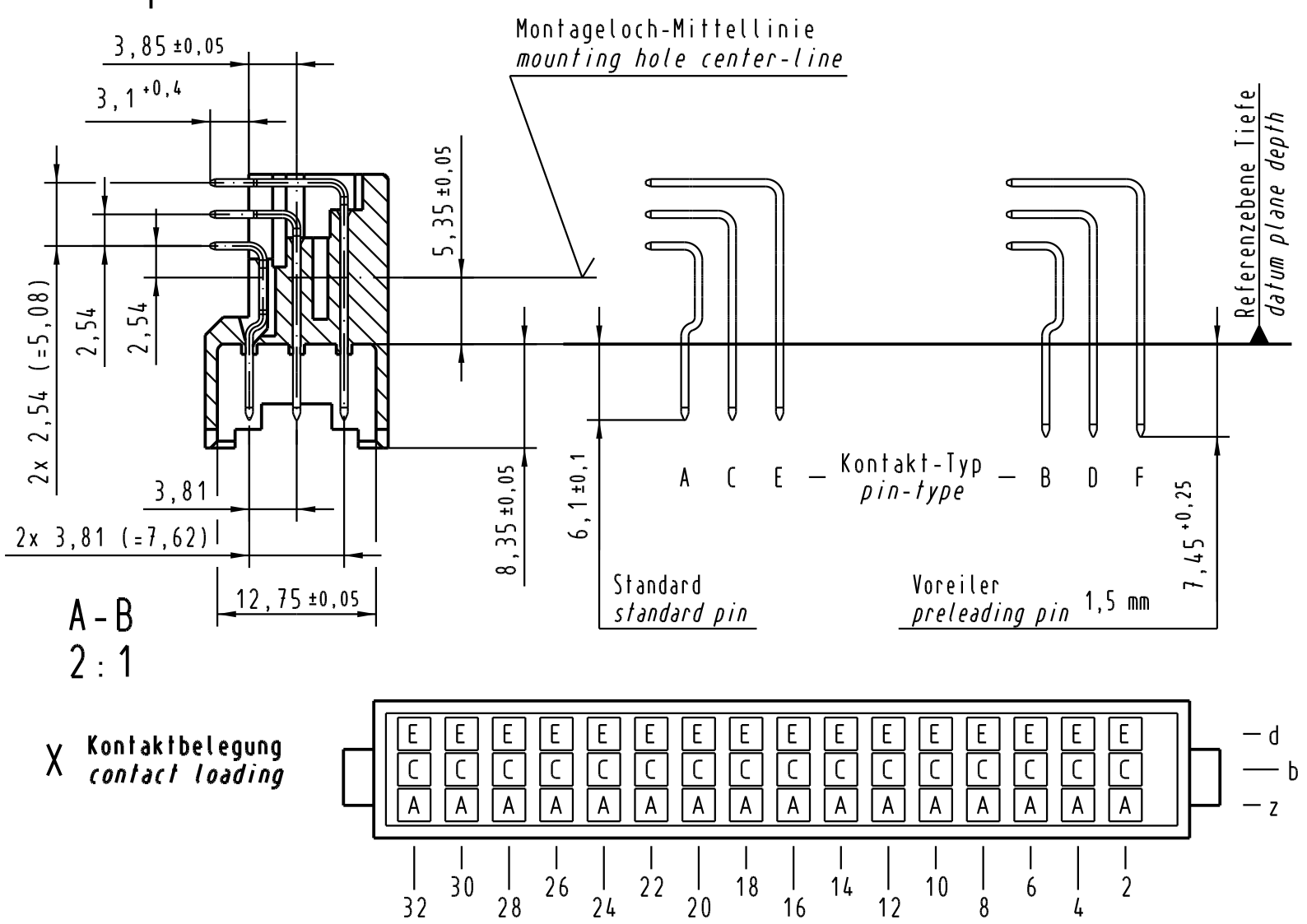
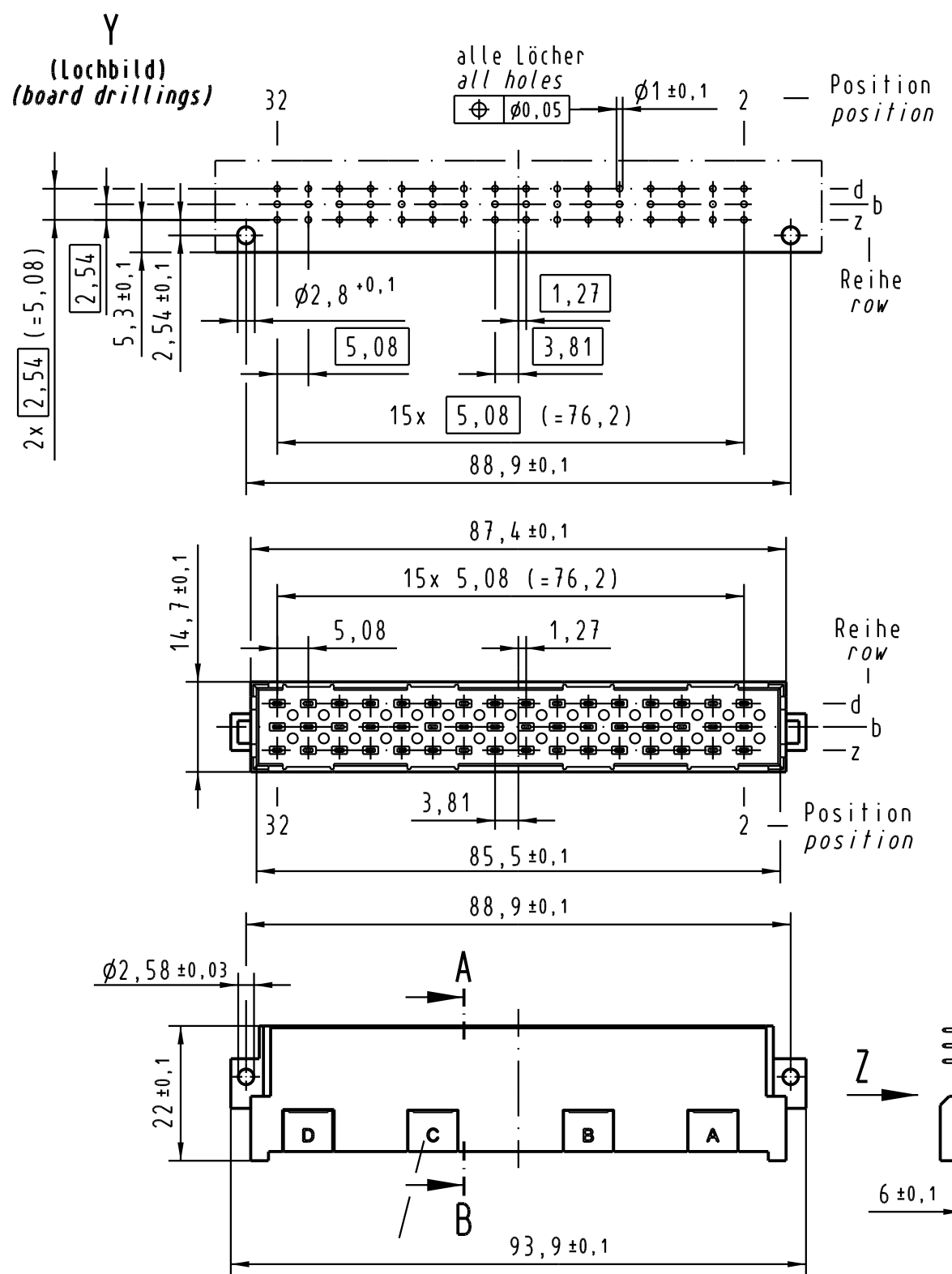
Product details

09 06 148 6901

Printed board connector

Type	Type F
Standard/Inverse	Standard
Contact gender	Male contacts
Size	Whole size
Number of contacts	48 poles
Contact arrangement	Rows z, b and d
Termination	Angled solder pins
Termination length	3.0 mm
First mating contact	without first mating contacts
Performance Class	Performance level 2 as per IEC 60603-2
Contacts	with contacts
Row pitch	2.54 mm
Board fixing	Without fixing
Coding facility	without coding facility
Current	6 A max.
Clearance/ Creepage	1,6 / 3,0 mm min.
RoHS compliant	Yes

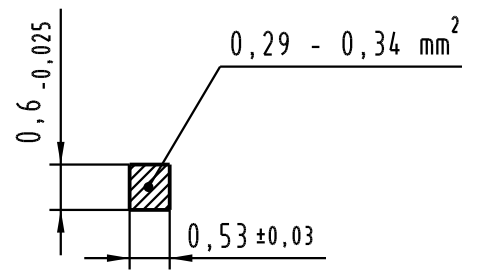
Alle Rechte vorbehalten. All rights reserved



09 06 148 7901	3	Au über/over Ni
09 06 148 6901	2	Au über/over Ni
09 06 148 2901	1	Au über/over Ni
Bestell-Nr. part-no.	Anforderungsstufe nach IEC performance level acc. to IEC	Kontaktoberfläche contact plating

Z 10:1

Querschnitt der Lötanschlüsse:
cross-section of solder terminations:



 All Dimensions in mm Original Size DIN A 3	Techn. Character.		Nicht tolerierte Maß Free size tolerances	
	IEC 60603-2		IEC 60603-2	
	Dat.	Name	Maßstab/Scale	
	Detail.	21.01.02 Rie.	1:1	
	Insp.	21.01.02 kfoe	(2:1; 10:1)	
	Stand.			
33143	13.10.05	Hage.	Bauform / type F Messerleiste Einlöt gewinkelt 2,54 48 pol. male connector solder angled 2,54 48 pol.	
30790				
Mod.	Dat.	Name	TB 09 06 148 x901 Blatt/page	
			HARTING Electronics GmbH & Co. KG D-32339 ESPELKAMP	
			Sub.	